

Product Data

A/CO Series Carbon Monoxide Sensor

Product Description

The A/CO transmitters monitor carbon monoxide (CO) levels in industrial environments. The A/CO transmitters are intended to be used for the continuous monitoring of vehicle exhaust in non-hazardous areas. Guidelines provided by OSHA and the UL2034 STD rating state that current danger levels are 50 ppm on a Time Weighted Average over an 8 hour Period or 35 Minutes at a 200 ppm level. Indoor concentrations above 35 ppm indicate the need for additional ventilation.

The A/CO uses a wide spectrum, long life electrochemical sensor to measure the amount of carbon monoxide in the environment. It is offered with an operating range of 0 to 125 ppm. The carbon monoxide transmitter provides a linear 4 to 20 mA or 2 to 10 VDC output on a 4-wire system when using an AC or DC supply voltage to power the transmitter.

Both the Room and Duct CO transmitters are offered in a standard NEMA 1 rated ABS Polycarbonate plastic enclosure. An optional NEMA 4X watertight and dust proof enclosure is only available with the CO room transmitter. Other options include an LCD display with (2) SPDT Form 1C relays and a buzzer.

Product Specifications

Supply Voltage	+24VDC or 24 VAC Floating or One side ground
Outputs	4-20mA, +2-10VDC, Digital RS-485
Accuracy / Repeatability	+/- 2.5% of Reading / +/- 1.0% of Reading
Operating Range	0 to 125 ppm (standard) / 0-250ppm (max)
Temperature Range	-20° to 40°C (-4° to 104°F)
Operating Humidity	15 to 90%, non-condensing, 0 to 99% Intermittent
Coverage Area	7,500 Sq. Ft. (max)
Indicators	Two line 8 digit Alpha Numeric LCD (standard) (2) Red LED's for Relay Status
Sensor Type	Electrochemical
Supply Current	100mA nominal / 250mA maximum
Response Time	Less than 60 seconds typical for a 90% step change
Mounting Height	4 to 6' above floor (1.5 to 2.0 meters)
Sensor Life Span	2 to 3 years typical (under normal conditions)
Relay Rating	(2) SPDT Form 1C rated @1 Amp dry contact
Buzzer Rating	Rated for 85 dB @ one foot

Wiring Diagrams available
C0000099 Rev 1.pdf

Carbon Monoxide



Attributes:

- Field Configurable
- Addressable RS-485 digital communication
- Two optional SPDT relays and audible alarm
- LCD display
- RoH's Compliant

Applications:

- Parking Garages
- Arenas
- Kitchens
- Laundry Rooms
- Warehouses
- Loading Docks
- Service Garages

DISPLAYS

TEMPERATURE

RELATIVE HUMIDITY

PRESSURE

CURRENT

AIR QUALITY

ACCESSORIES

Dimensions

DISPLAYS

TEMPERATURE

RELATIVE HUMIDITY

PRESSURE

CURRENT

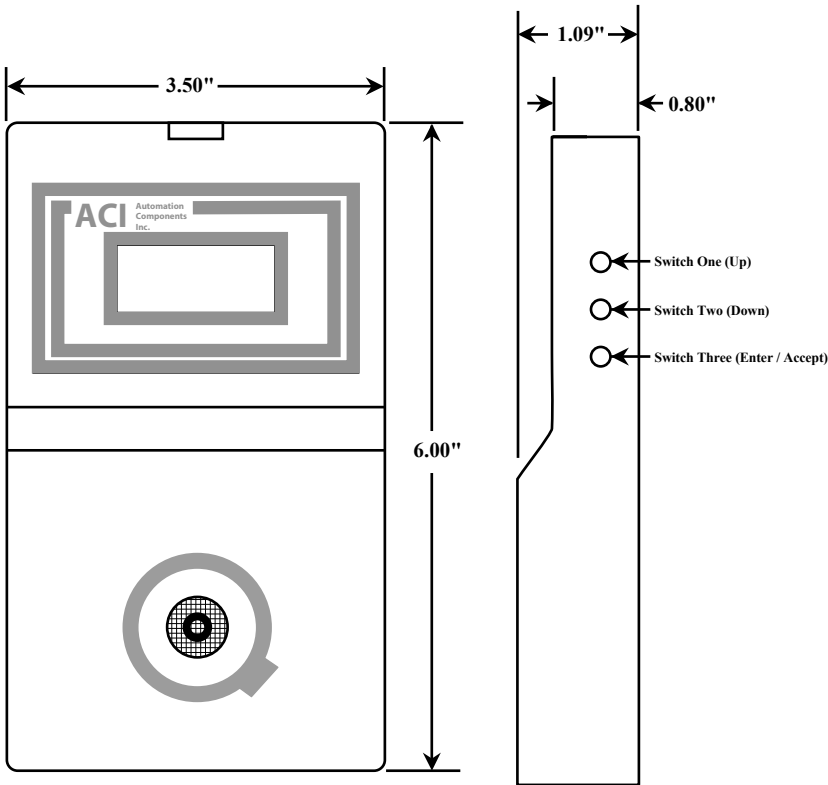
AIR QUALITY

ACCESSORIES

Room
Front

All Dimensions are in Inches

Right Side



Ordering Information

Model
A/CO -[]

- (R) - Room Configuration
- (D) - Duct Configuration w/ Pitot Tube
- (R-4X) - Room Configuration in NEMA 4X Housing*
- (R-4X-RB) - Room Configuration in NEMA 4X Housing* with relays and buzzer

Display
-[]

- () - No Display (Standard)
- (D) - LCD Display, (2) SPDT Form 1C Relays, and Buzzer

*Not available with external LCD

Example: A/CO-R or A/CO-R-D

iProcessSmart.com

Tel: 925-706-7433

Fax: 925-706-2583

sales@iprocessmart.com